

LEO 23 GT

Technical Data*

Aerial Work Platform **TEUPEN[®] hyLIFT[®]**



LEO 23 GT

Working height:	approx. 23,00 m
Cage floor height:	approx. 21,00 m
Lateral outreach to either side:	approx. 11,20 m
Safe load on cage:	max. 200 kgs
Size of working cage (LxWxH):	1,40 x 0,70 x 1,10 m
Rotating working cage:	180°
Overall length in travelling position:	min. 6,20 m
Minimum clearance width:	min. 0,98 m
Overall height in travelling position:	min. 1,98 m
Net weight:	approx. 3010 kgs
Standard jacked area (centre of plate, LxW):	min. 4,10 m x 4,30 m
Min. jacked area (centre of plate):	min. 2,30 m
Max. load on jack plate per plate:	approx. 22,4 kN
Surface load in standard work position:	approx. 1,8 kN/m ²
Range of rotation Standard jacked area:	360°
Limited range of rotation (both sides narrow):	2 x 15°
Limited range of rotation (one side narrow):	192°
Max. ground slope:	approx. 26 %
Climbing ability (in direction of traffic):	approx. 30 %
(crosswise to direction of traffic):	approx. 26 %
Driving speed:	approx. 1,3 km/h
Power track:	installed inside

Driving engine Kubota Z-602

Water-cooled-2-Cyl.-4-stroke-diesel-engine	
Piston displacement:	599 cm ³
Max. output at 3600 min ⁻¹ :	12,5 kW (17 HP)
Type of fuel:	Diesel
Noise level max.:	approx. 89 dB (A)

Ancillary equipment

Electricmotor EBS 90 L X 4

Nominal input voltage::	230 V / 50 Hz
Drawing of current:	12,9 A
Output:	2,2 kW
Additional weight:	approx. 25 kg

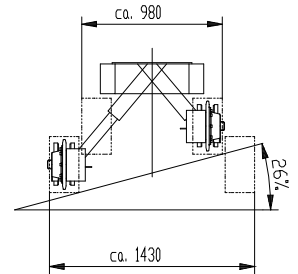
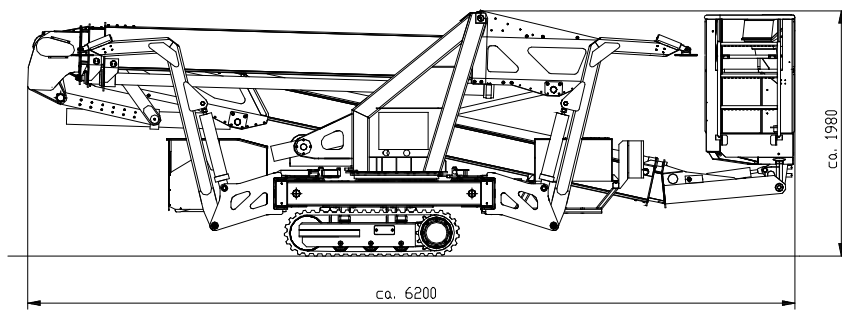
Alternative battery drive

Nominal input voltage of battery charger:	230 V / 50 Hz
Hydraulic unit:	48 V / 6 kW
Additional weight:	approx. 180 kg

*Technical data with standard equipment!

Alterations in construction reserved!

As at 25.10.07



Examples access technology
Rotation of basket 180° - offset basket

